

Package Contents



Antenna



Protective Shroud



U-Brackets (Qty. 2)



Pole Brackets (Qty. 2)



Pole Clamps (Qty. 2)



Carriage Bolts (Qty. 4)



Serrated Flange Bolts (Qty. 4)



Serrated Flange Nuts (Qty. 8)



RF Cables (Qty. 2)

Installation Requirements

- Rocket®M5 or RocketM5 GPS (sold separately)
- 12 mm and 13 mm wrenches

We recommend that you protect your networks from harmful outdoor environments and destructive ESD events with industrial-grade, shielded Ethernet cable from Ubiquiti. For more details, visit ui.com/toughcable

Hardware Installation

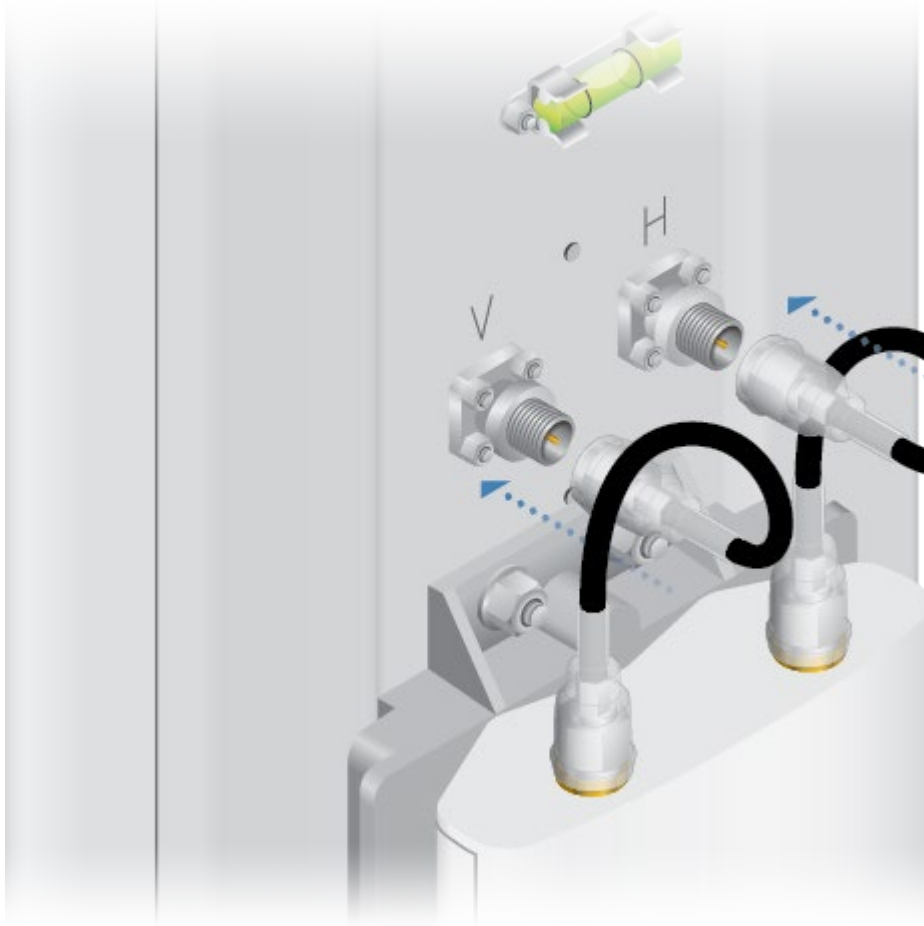


1.

2.

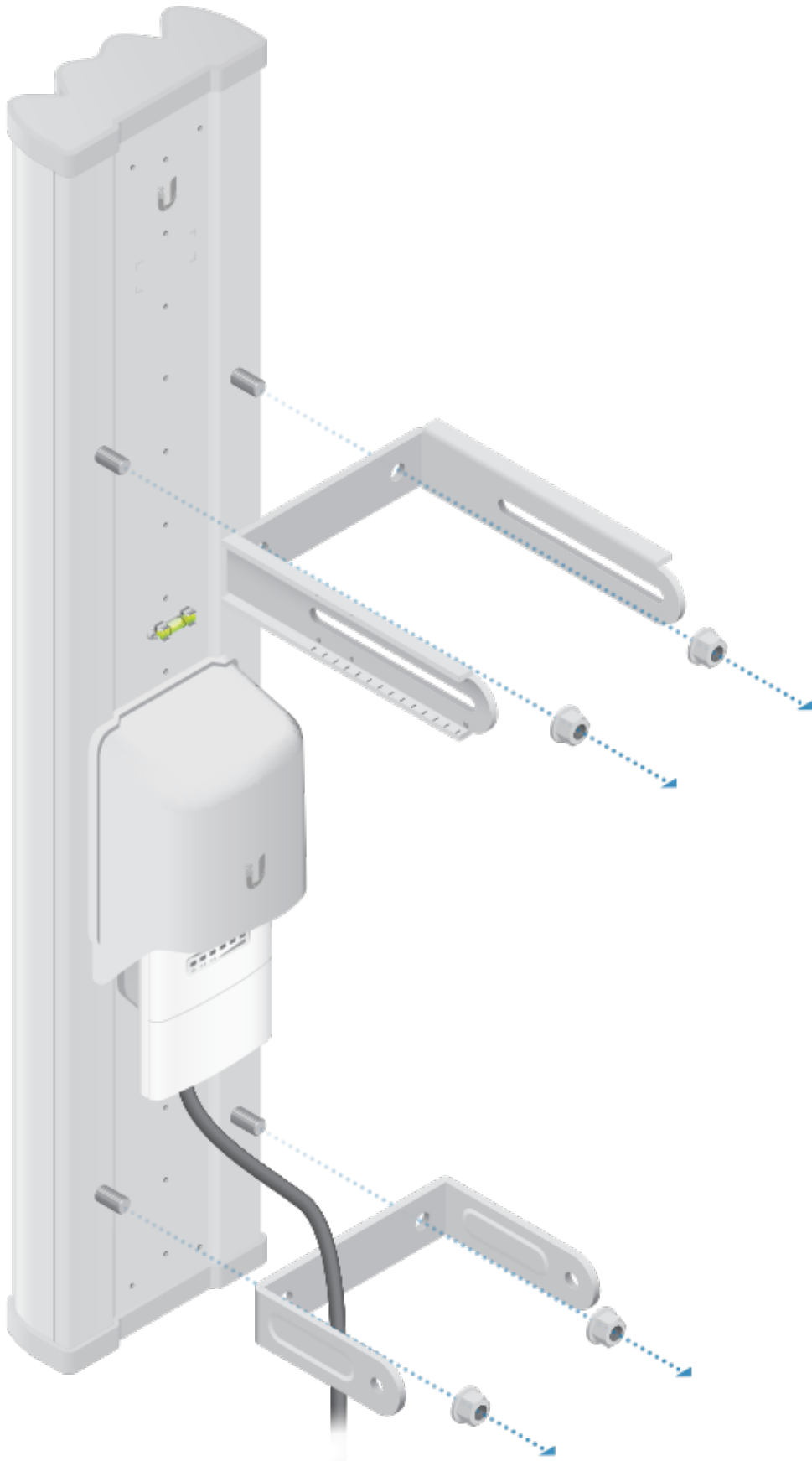


3.





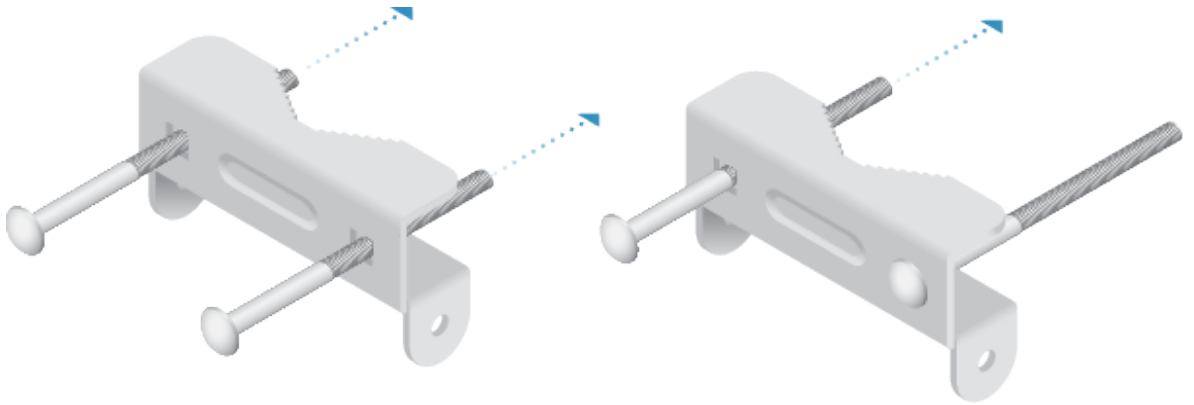
4.



5.



Note: Orient both U-Brackets as shown.



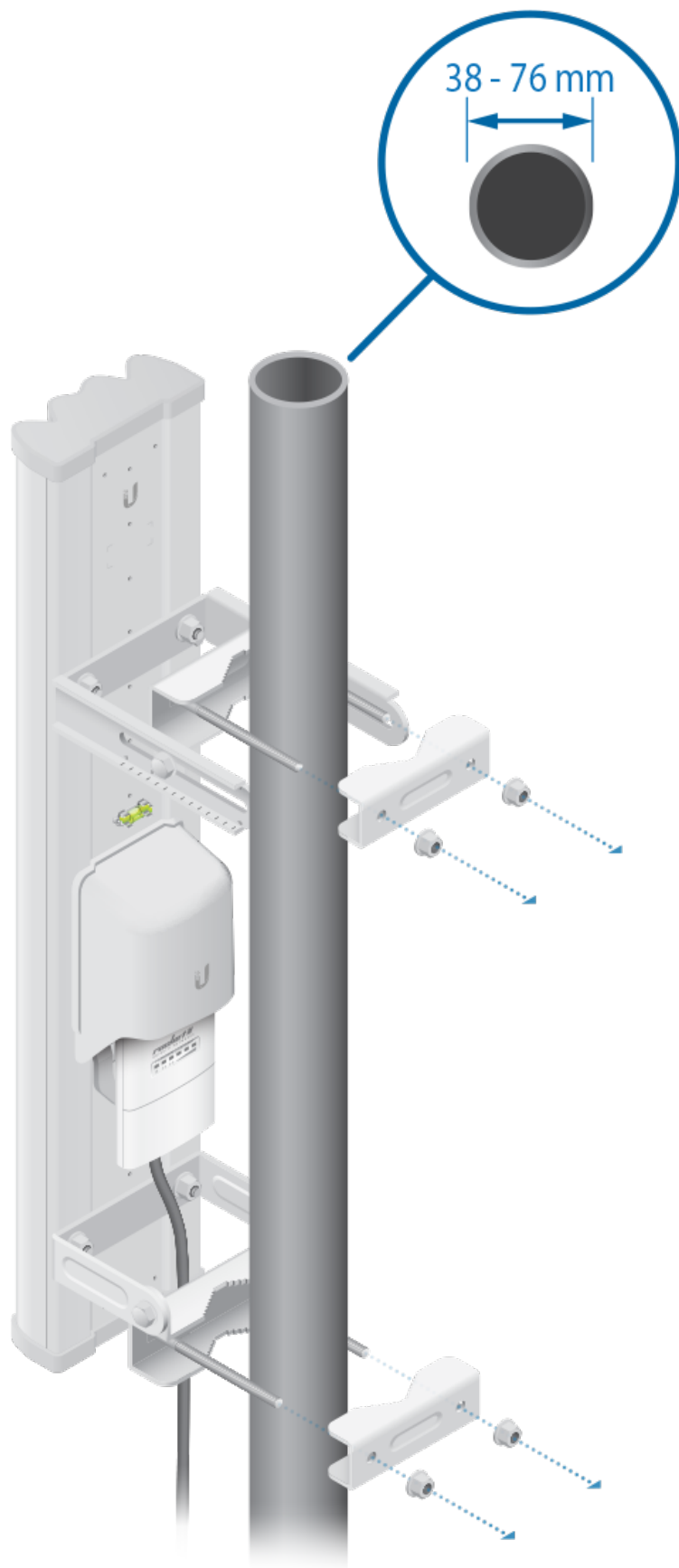
6.



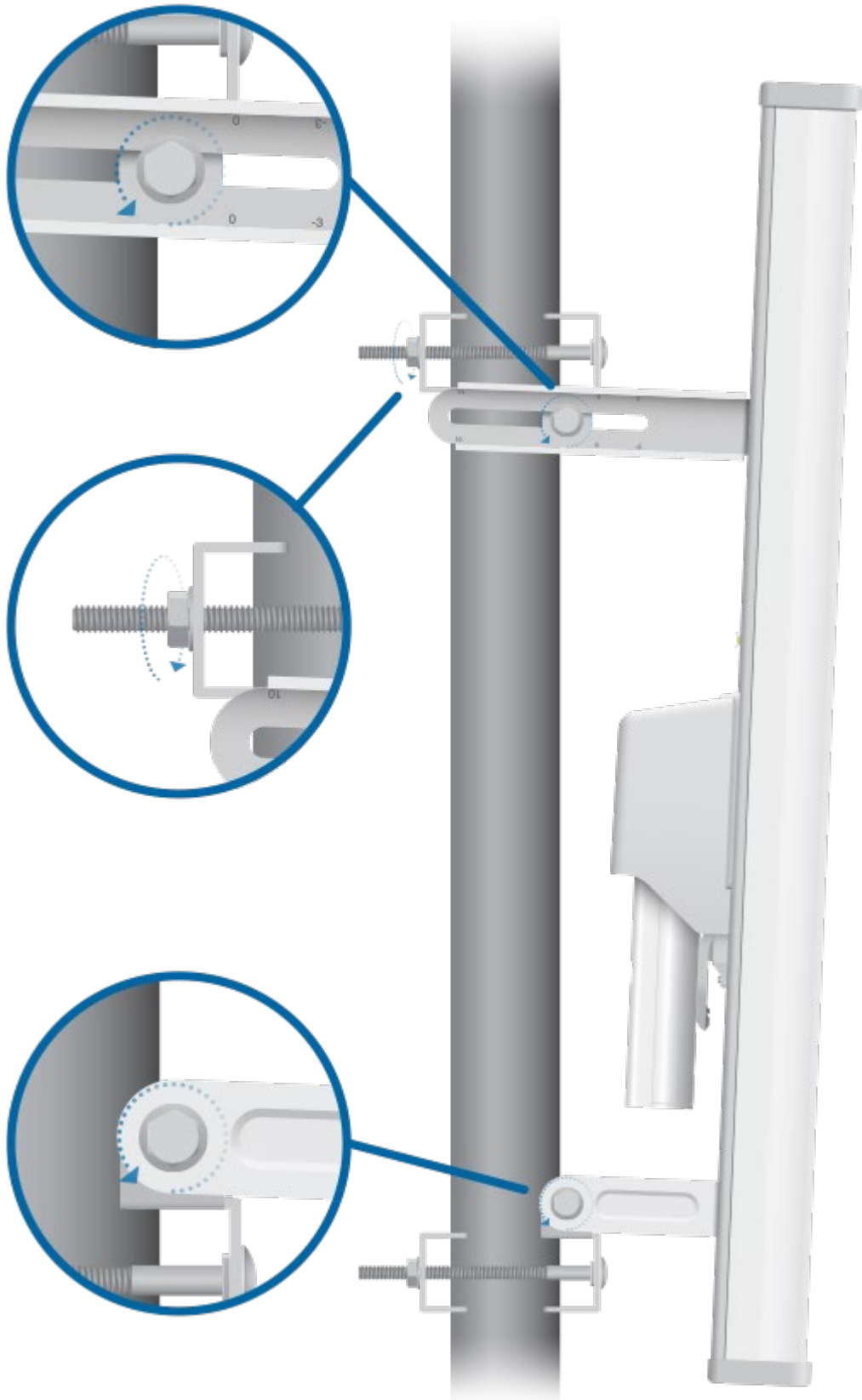
7.



Note: Hand-tighten the bolts.



8.



9.



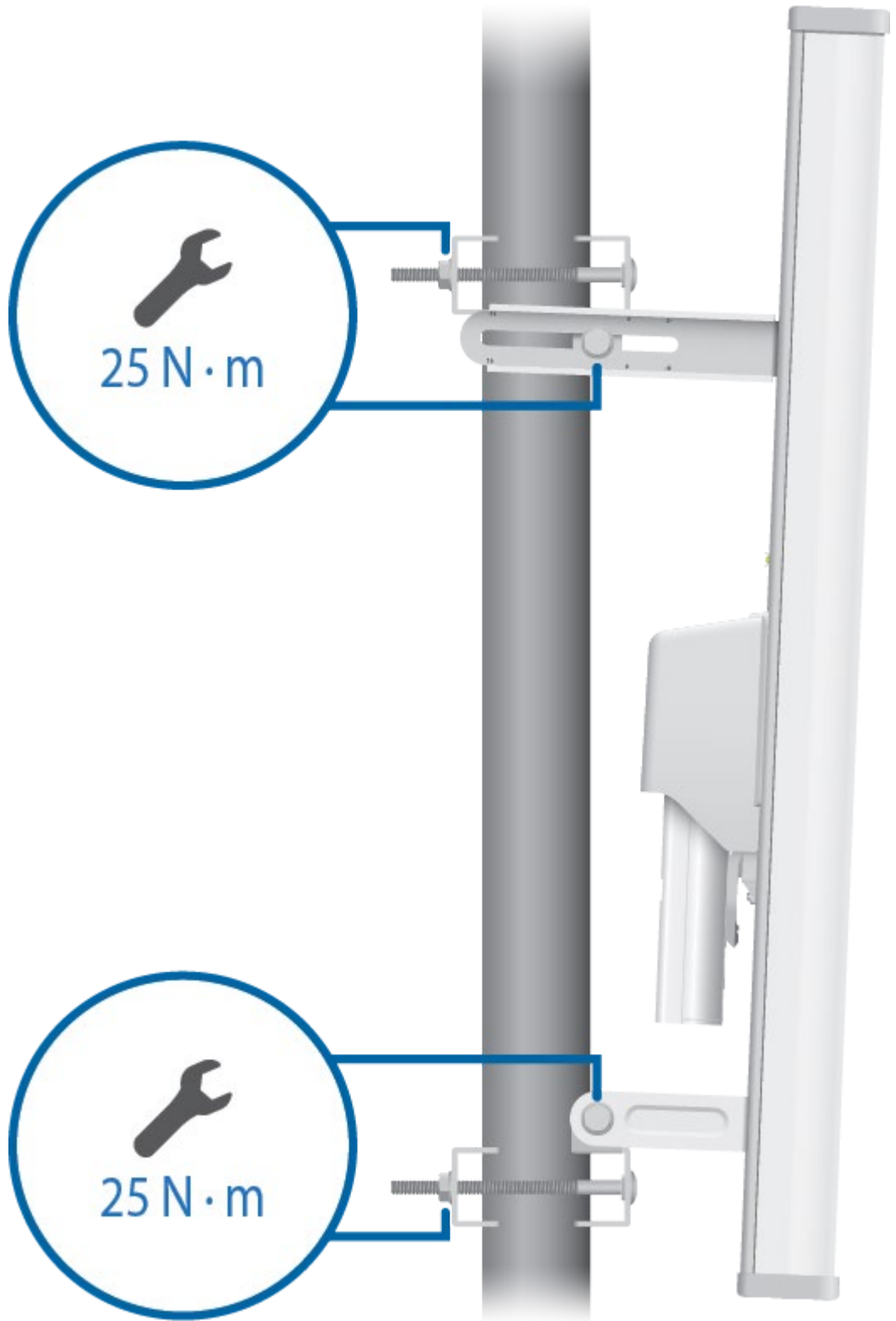
Note: The antenna has an electrical downtilt of 2°.



10.



Note: The brackets may slide along the pole, depending on the angle of the elevation tilt.



Specifications

AM-5G20-90	
Dimensions	700 x 135 x 70 mm (27.56 x 5.32 x x 2.76")
Weight (Mount Included)	5.9 kg (13.01 lb)
Frequency	5.15 - 5.85 GHz
Gain	19.4 - 20.3 dBi
HPOL Beamwidth	91° (6 dB)
VPOL Beamwidth	85° (6 dB)
Elevation Beamwidth	4°
Electrical Downtilt	2°
Max. VSWR	1.5:1
Wind Survivability	200 km/h (125 mph)
Wind Loading	182 N @ 200 km/h (41 lbf @ 125 mph)
Polarization	Dual Linear
Cross-Pol Isolation	28 dB Min.
ETSI Specification	EN 302 326 DN2
Mounting	Universal Pole Mount, Rocket Bracket, and Weatherproof RF Jumpers Included

Safety Notices

1. Read, follow, and keep these instructions.
2. Heed all warnings.
3. Only use attachments/accessories specified by the manufacturer.



WARNING: Do not use this product in location that can be submerged by water.



WARNING: Avoid using this product during an electrical storm. There may be a remote risk of electric shock from lightning.

Electrical Safety Information

1. Compliance is required with respect to voltage, frequency, and current requirements indicated on the manufacturer's label. Connection to a different power source than those specified may result in improper operation, damage to the equipment or pose a fire hazard if the limitations are not followed.
2. There are no operator serviceable parts inside this equipment. Service should be provided only by a qualified service technician.

Limited Warranty

ui.com/support/warranty

The limited warranty requires the use of arbitration to resolve disputes on an individual basis, and, where applicable, specify arbitration instead of jury trials or class actions.

Compliance

RF Exposure Warning

The antenna and transmitter must be installed to provide a separation distance from all persons and must not be located or operating in conjunction with any other antenna or transmitter. For the specific separation distance, refer to the Quick Start Guide for your Rocket device (transmitter).

L'antenne et l'émetteur doit être installé pour fournir une distance de séparation de toute les personnes et ne doit pas être situé ou opérant en conjonction avec une autre antenne ou un autre émetteur. Pour la distance spécifique de séparation, se référer au Guide de démarrage rapide pour votre appareil Rocket (l'émetteur).

WEEE Compliance Statement

Declaration of Conformity

Online Resources

