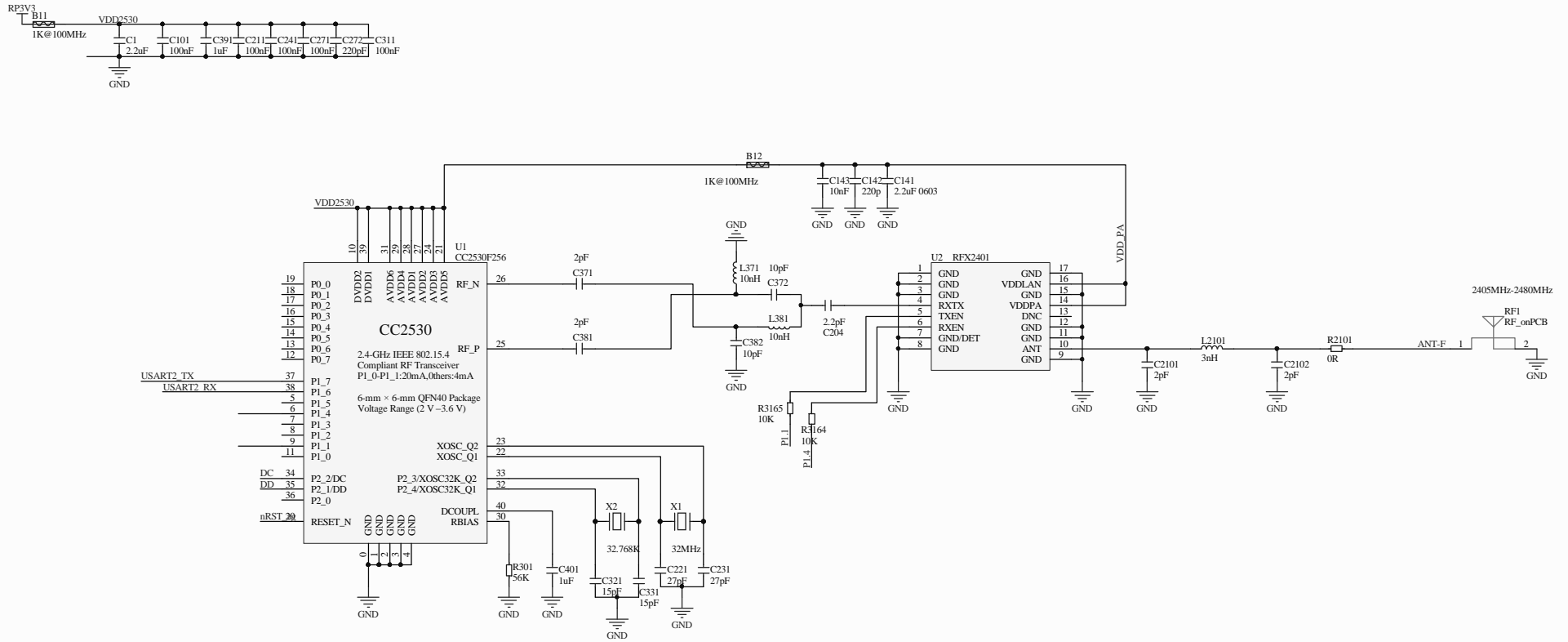
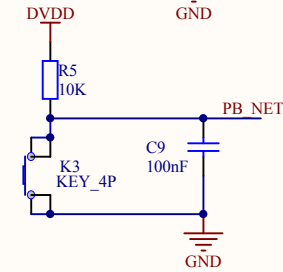
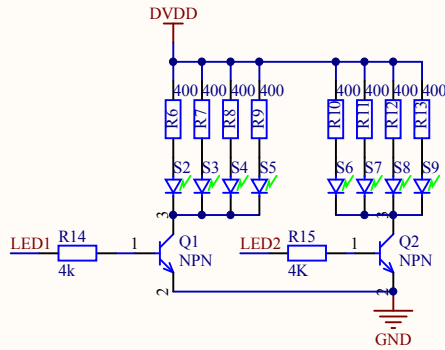
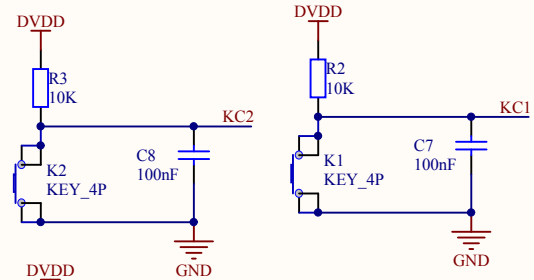
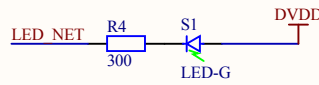
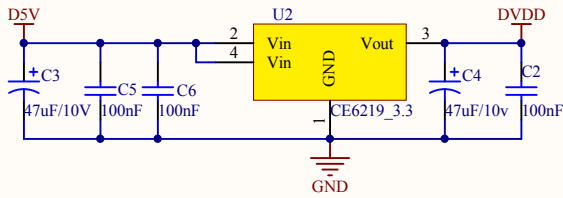
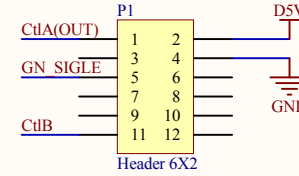
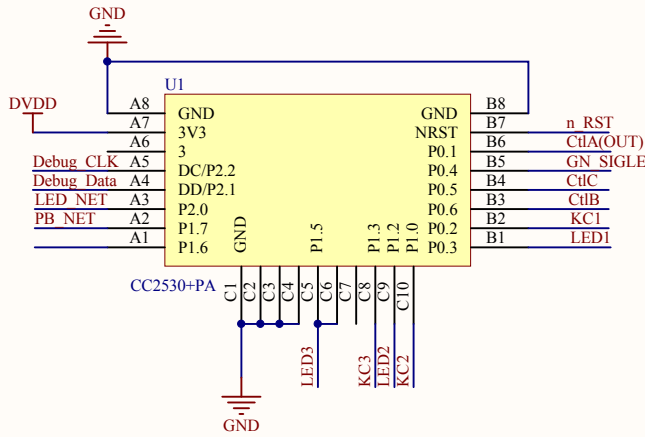
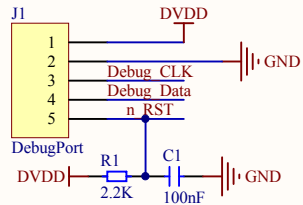


Title		
Size	Number	Revision
A4		
Date:	2015/1/19	Sheet of
File:	C:\Users\...\Sheet1.SchDoc	Drawn By:

R0041-V2.0 RF module



Title		
Size	Number	Revision
A3		
Date:	2014-11-8	Sheet of
File:	Z:\module_模块认证文件\2530+2401_SchDown	By:



Title		
Size A4	Number	Revision
Date:	2014-8-28	Sheet of
File:	Z:\2014	\\WL_ZCMN_323\DW\BshDoc